



## LED Backlit Panel UIII

### Features

- High efficiency & brighter
- Never fading
- Flicker free
- Easy installation
- No blue light

### Benefits

- High lumen up to 120lm/w, huge energy saving up to 33%
- No yellowish risk
- Light without flicker reduces stress while working/living underneath
- Different product sizes for different application, fitted with various accessories
- No blue light hazard

### Application



Library



Shopping Mall



Office



Hospital



Conference Room



School

### Specification

Item Code	Item Description	Power (W)	Power Factor	CCT (K)	Lumen (lm)	Efficacy (lm/W)	Input Current (mA)	Life Time (L70B50)	MOQ (pcs)
542003080010	LEDPBL-UIII Sq295-12W-4000-WH-GP	12	0.5	4000	960	80	105	30000	500
542003079910	LEDPBL-UIII Sq295-12W-6500-WH-GP	12	0.5	6500	960	80	105	30000	500
542003079410	LEDPBL-UIII Sq595-32W-4000-WH-GP	32	0.95	4000	3840	120	200	30000	500
542003079310	LEDPBL-UIII Sq595-32W-6500-WH-GP	32	0.95	6500	3840	120	200	30000	500
542003079210	LEDPBL-UIII Sq595-45W-4000-WH-GP	45	0.95	4000	3825	85	145	30000	500
542003079110	LEDPBL-UIII Sq595-45W-6500-WH-GP	45	0.95	6500	3825	85	145	30000	500
542003079810	LEDPBL-UIII Re295-36W-4000-WH-GP	36	0.95	4000	2880	80	165	30000	500
542003079710	LEDPBL-UIII Re295-36W-6500-WH-GP	36	0.95	6500	2880	80	165	30000	500
542003079610	LEDPBL-UIII Re595-72W-4000-WH-GP	72	0.95	4000	5760	80	330	30000	500
542003079510	LEDPBL-UIII Re595-72W-6500-WH-GP	72	0.95	6500	5760	80	330	30000	500

Technical Specifications	
On/Off Cycles	100000
Colour Consistency(SDCM)	≤6
Dimmable	No
Housing Colour	White
IP	IP20
Driver integrated(Yes/No)	Yes
Glow wire test	650 C

Electrical Supply	
Frequency (Hz)	50/60
Voltage (V)	220-240
AC / DC	AC

Mechanical Properties	
Housing Material	Aluminum
Optical Material	PS

Application Conditions	
Operating Temperature	-10-45 °C
Storage Environment	-25-50 °C

CB

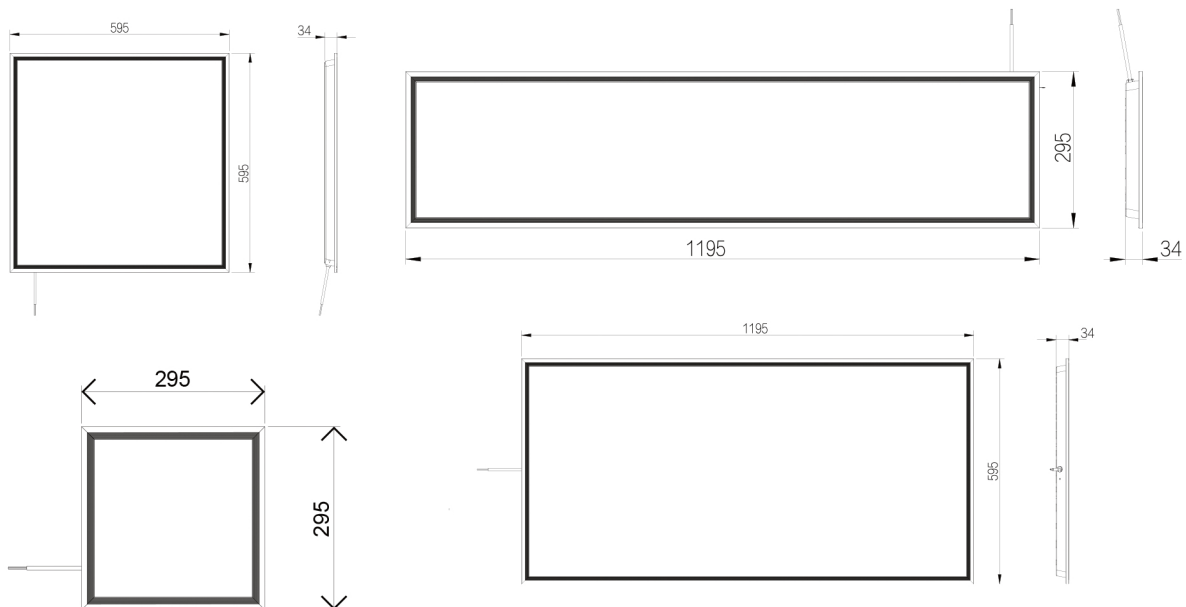
## Packaging Information

Item		Outer box		
Item Code	Item Description	Dimensions(mm) (LxWxH)	Gross Weight (kg)	Packing Qty (pcs/CTN)
542003080010	LEDPBL-UIII Sq295-12W-4000-WH-GP	370*370*375	4.9	8
542003079910	LEDPBL-UIII Sq295-12W-6500-WH-GP	370*370*375	4.9	8
542003079410	LEDPBL-UIII Sq595-32W-4000-WH-GP	710*370*720	14.14	8
542003079310	LEDPBL-UIII Sq595-32W-6500-WH-GP	710*370*720	14.14	8
542003079210	LEDPBL-UIII Sq595-45W-4000-WH-GP	710*370*720	14.14	8
542003079110	LEDPBL-UIII Sq595-45W-6500-WH-GP	710*370*720	14.14	8
542003079810	LEDPBL-UIII Re295-36W-4000-WH-GP	1310*370*420	16.2	8
542003079710	LEDPBL-UIII Re295-36W-6500-WH-GP	1310*370*420	16.2	8
542003079610	LEDPBL-UIII Re595-72W-4000-WH-GP	1312*720*304	16.5	4
542003079510	LEDPBL-UIII Re595-72W-6500-WH-GP	1312*720*304	16.5	4

## Accessory

Accessories		Packing Unit		MOQ
Item Code	Item Description	Dimensions(mm) (LxWxH)	Note	
542098035010	LEDPBL-UIII Re595-Surface Module	1225*275*185	15pcs/carton	500
542098035110	LEDPBL-UIII Re295-Surface Module	1225*275*185	15pcs/carton	500
542098035210	LEDPBL-UIII Sq295-Surface Module	325*275*230	20pcs/carton	500
542098035310	LEDPBL-UIII-Clips-295	380*170*200	40pcs/carton	500

## Dimensional Drawing



Photometric Data

